

Phone:+98 34 32455581

Email:info@taksaniroo.com

Web:WWW.taksaniroo.com

Taksa Niroo  
Kerman



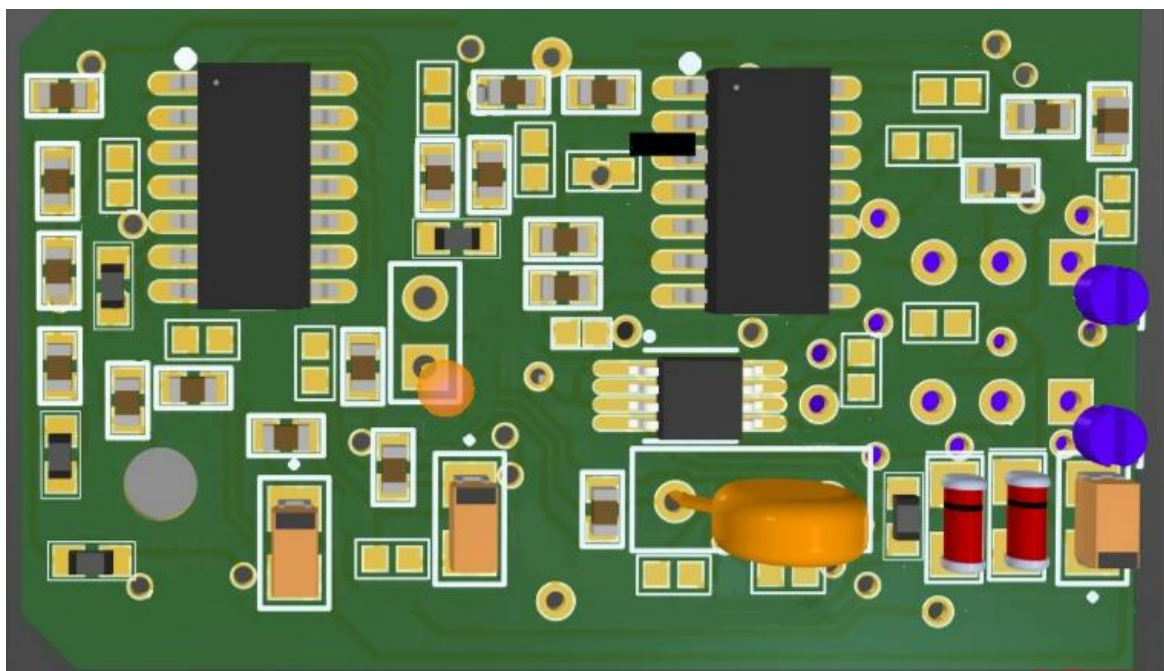
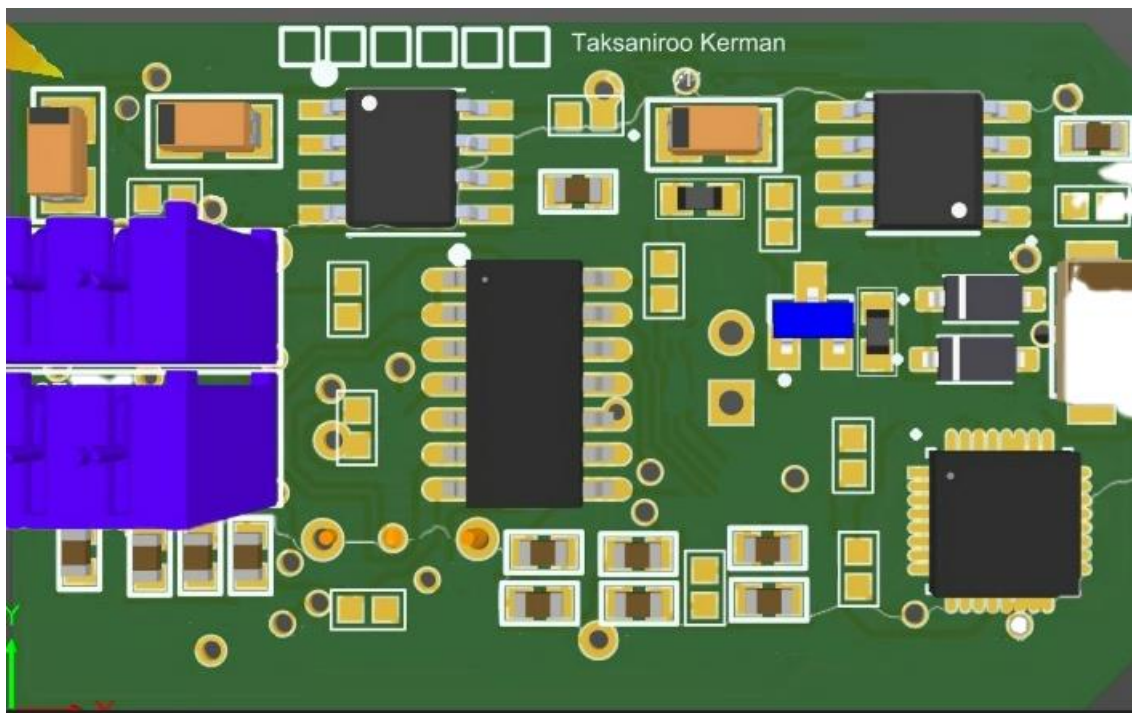
## مستند نقشه فنی سنسور ویبره (Vibration Sensor)

### تصاویر سه بعدی ویبره





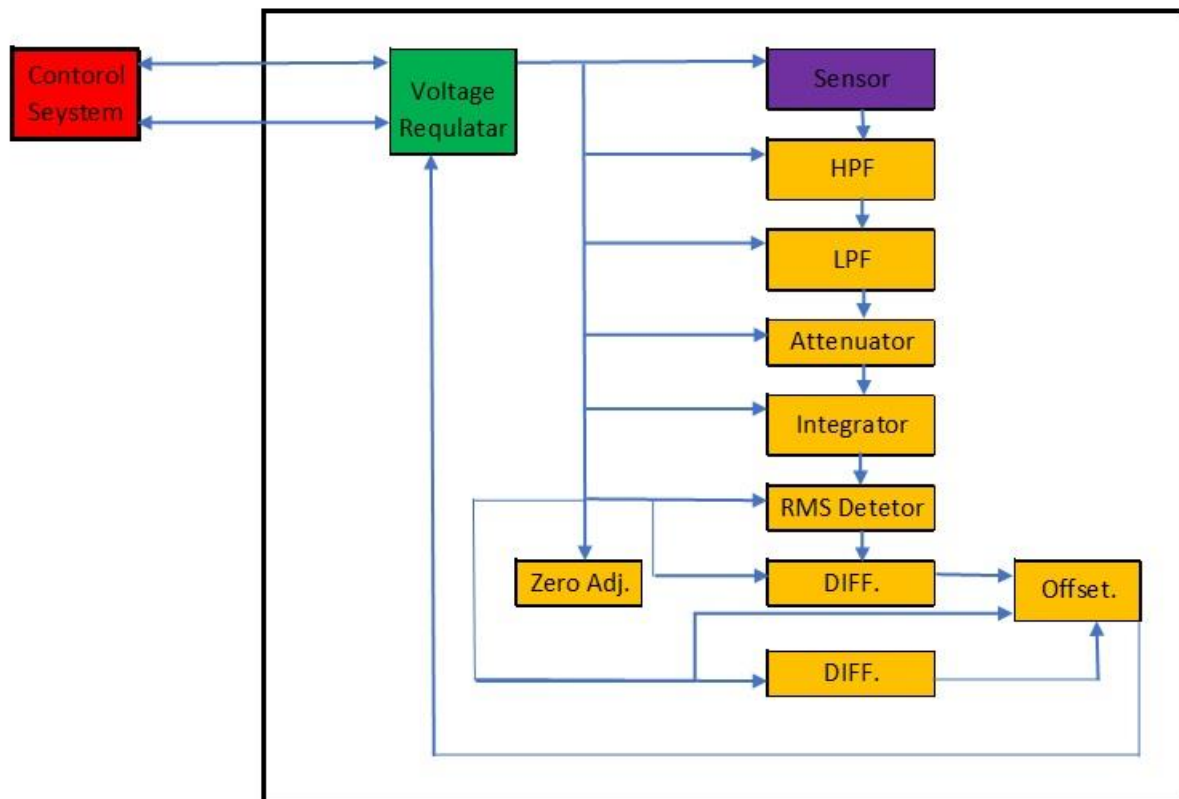
# تصویر پشت و رویی برد سنسور ویبره (Vibration Sensor)



## جدول اطلاعات فنی سنسور ویبره (Vibration Sensor)

Dynamic Range	4-20 mA	8g, 16g, 100g can be ordered.
Output Current	1 mA/(mm/sec)	Other outputs are also available: e.g. 0-5V, 0-10V,
Sensitivity	18-30 V	0-20mA, Also with limit Switch.
Bias Voltage	30 mm~	Other sensitivities can be ordered.
Diameter	60 mm~	-
Length	[-40 105] Celsius	-
Operating Temp Range	Waterproof	-
Humidity	TBD	-
Short-term Drift	TBD	-
Long-term Drift	TBD	-
Temp. Sensitivity	3%	-
Linearity	10Hz - 1000Hz	Any custom velocity/current curve can be ordered
Frequency Range	(Customizable 0.1Hz-14kHz)	Other frequency bands can be ordered.
Spectral Characteristics	Will be provided upon request	40dB/decade out of band attenuation. Higher order attenuation can be ordered.
Settling Time	< 1sec	will depend on requested bandwidth
Sensor Noise	25 $\mu\text{g}/\sqrt{\text{Hz}}$	-
Shock Tolerance	1000 g	-
Case material	Grade 316 stainless steel	Customer Order
Socket interface	2-pin military connector	Customer Order
Measuring fleid(RMS)	0-20 mm/s	Customer Order

## تصویر بلوک دیاگرام سنسور ویبره (Vibration Sensor)



## نقشه کیس سنسور ویبره (Vibration Sensor)

